

COMPRESSOR

Displacement (cm ³)	16.14
Diameter (mm)	31.19
Stroke (mm)	21.13
Net Weight (Kg)	11.2
Oil type	ISO VG 10 MINERAL
Oil charge (cm ³)	300

MOTOR

Approximate Power (CV)	1/4
Voltage/Frequency (V/Hz)	220V 50Hz
Voltage range (V)	187-264
Code	63.100
Type	RSIR
Phase number	1 PH
Locked rotor current (A)	11.7
Main W. resist. at 25°C (Ω)	10.91
Start W. resist. at 25°C (Ω)	17.33

APPLICATION

Application	Low back pressure
Refrigerant	R600a
Evaporating (°C)	-35 to -10
Expansion	Capillar
Comp. cooling	Static
Max. ambient temp. (°C)	43

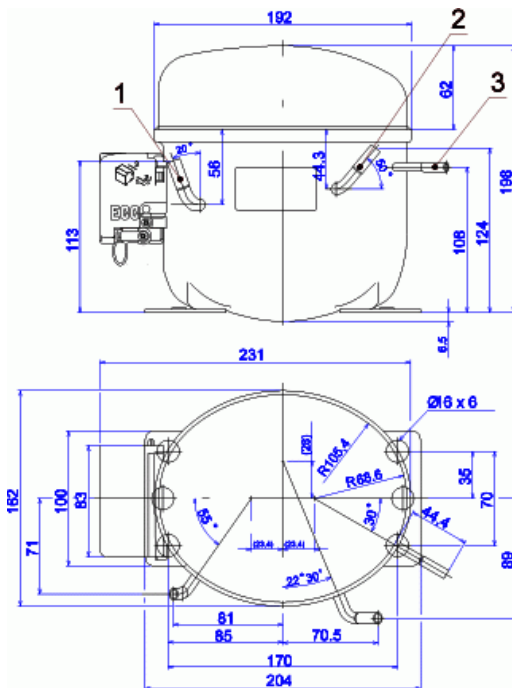
NOMINAL PERFORMANCE	CYCLE A	CYCLE B
Cooling capacity (kcal/h)	156	208
Input power (W)	160	168
EER (kcal/Wh)	0.97	1.23
COP (W/W)	1.13	1.43
Current (A)	1.02	1.05

TEST CONDITIONS

Evaporating temp. (°C)	-25.0	-23.3
Condensing temp. (°C)	55.0	55.0
Liq.t. entering expan. (°C)	55.0	32.0
Ambient t. and return (°C)	32.0	32.0
Tens/Freq (V/Hz)	220V 50Hz	220V 50Hz

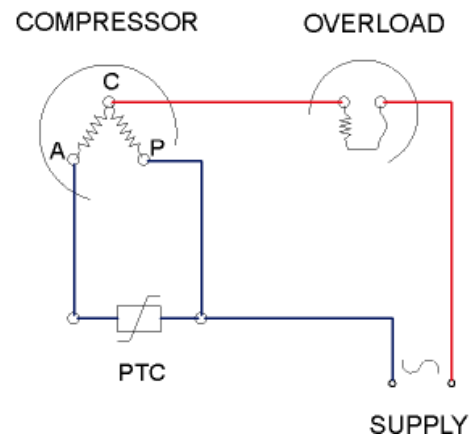
ELECTRICAL COMPONENTS

Relay	PTC 3003 - K100			
Nominal voltage (V)	200 - 240			
Resistanceμ	14,00			
Protector	MSP304LZ	T0490	AE11FU	4TM319NFBY Y
Current (A)	9.4	9.4	9.4	12.0
Time check (seg)	7.5-14	7.5-14	7.5-14	5-15
Disc temp. (Open/Close) (°C)	120.0 / 61.0	130.0 / 62.0	120.0 / 62.0	120.0 / 61.0

DIMENSIONS AND ELECTRICAL DIAGRAM


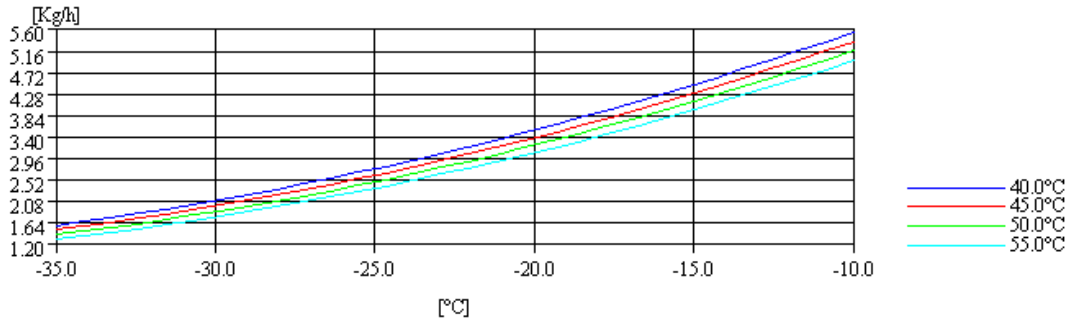
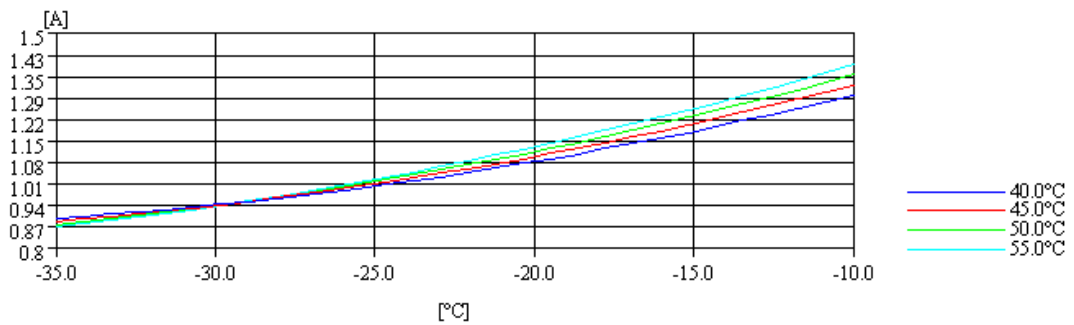
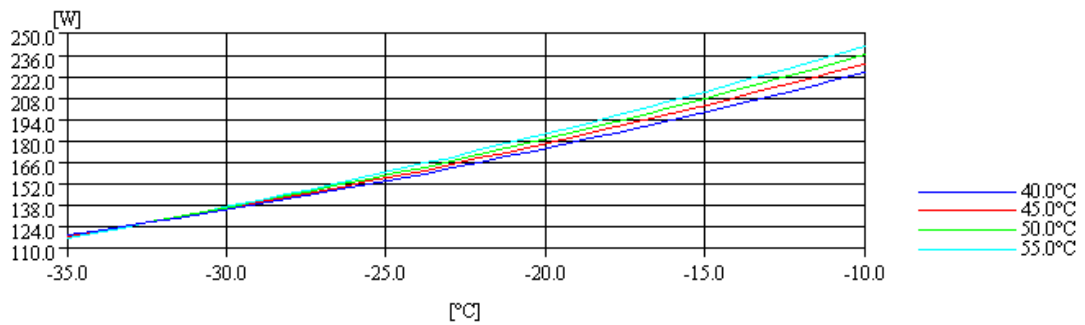
	DESIGNATION	INTERNAL DIAM. (MM)
1	Suction	8.1
2	Service	8.1
3	Discharge	6.5

RSIR



TEST CONDITIONS

Voltage/frequency	220V 50Hz
Ambient t. and return	32 °C
Liq.t. entering expan.	Subcooling at 32 °C

MASS FLOW

INTENSITY

CONSUMPTION

COOLING CAPACITY
